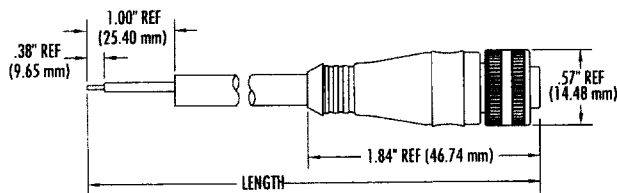


# Micro-Change<sup>TM</sup> Dual Keyway Plugs for High-Flex Applications

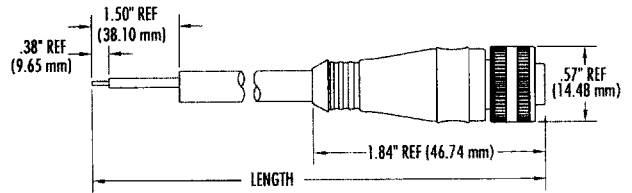
## Product Specifications

<p><b>MECHANICAL</b></p> <p>PLUG FACE MATERIAL: NYLON 6/6</p> <p>CONTACT MATERIAL: COPPER ALLOY</p> <p>CONTACT PLATING: GOLD - 5<math>\mu</math> IN. (MIN) PALLADIUM/NICKEL - 20<math>\mu</math> IN. (MIN)</p> <p>MOLDED BODY MATERIAL: POLYURETHANE</p> <p>COUPLING NUT MATERIAL: ZINC DIECAST EPOXY-COAT (ALSO AVAILABLE IN STAINLESS STEEL OR NON-METALLIC)</p> <p>O-RING: NITRILE RUBBER</p> <p>CABLE: COLOR - YELLOW</p> <p>JACKET MATERIAL - PUR</p> <p>CONDUCTOR INSULATION MATERIAL - PVC</p> <p>STRANDING - #18 AWG 168 X #40</p> <p>UL RECOGNIZED, CSA CERTIFIED</p> <p>OUTSIDE DIAMETER: 2/C - .24" 3/C - .27" 4/C - .29" 5/C - .32"</p> <p>CABLE STRAIN RELIEF: 35 POUNDS MIN. - PER UL STD. 514</p>	<p><b>ELECTRICAL</b></p> <p>VOLTAGE RATING: 300VAC/300VDC</p> <p>AMPERAGE: 2/3 POLE - 7A, 4/5 POLE - 4A</p> <p>CONTACT RESISTANCE: <math>\leq 5m\Omega</math>, (AFTER 500 MATE/UNMATE CYCLES - PER MIL STD. 1344, 3004.1)</p> <p>ISOLATION RESISTANCE: <math>\geq 1000M\Omega</math></p> <p><b>ENVIRONMENTAL</b></p> <p>PROTECTION: IP 68, NEMA 6P - PER NEMA STD. 250</p> <p>AMBIENT OPERATING TEMP: -20° TO 80°C</p> <p>CORROSION RESISTANCE: 500 HOUR SALT SPRAY - PER MIL STD. 202F</p> <p>VIBRATION RESISTANCE: 10 - 500 HZ @ 10g - PER MIL STD. 202F, 204D, CONDITION A</p> <p>HIGH PRESSURE WATER SPRAY: 1000 PSI</p> <p><b>CERTIFICATIONS</b></p> <p>UL: UL LISTED, FILE NO. E152210</p> <p>CSA: CSA CERTIFIED, FILE NO. LR6837</p> <p>VDE: SPACINGS TO VDE 0110 GROUP C (250VAC/300VDC)</p>
--	--

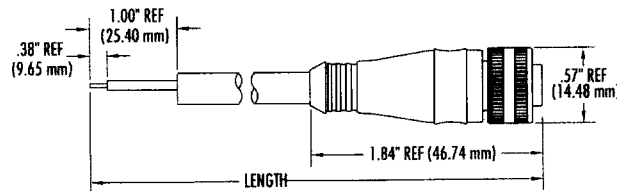
**Straight Male Plug / 2-4 Pole**



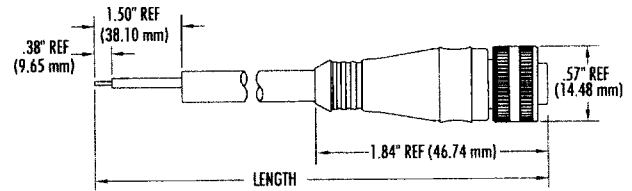
**Straight Male Plug / 5 Pole**



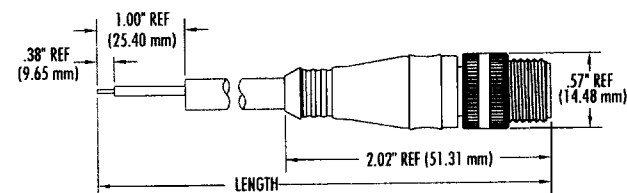
**Straight Female Plug / 2-4 Pole**



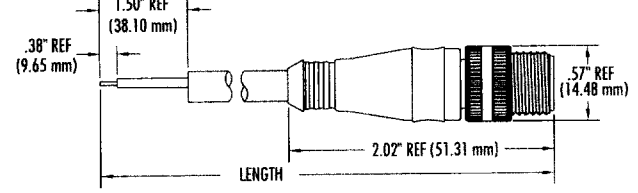
**Straight Female Plug / 5 Pole**



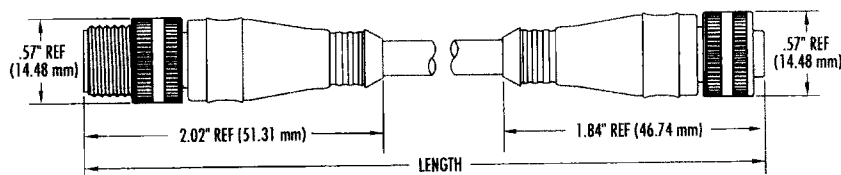
**Male Plug with External Threads / 2-4 Pole**



**Male Plug with External Threads / 5 Pole**

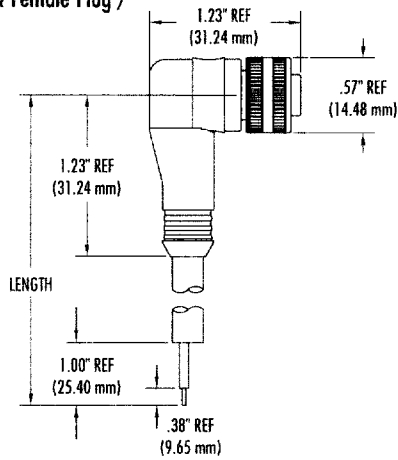


**Male/Female Cable Assemblies**

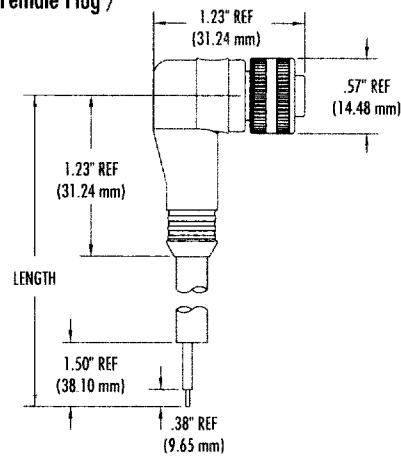


# Micro-Change<sup>®</sup> Dual Keyway Plugs for High-Flex Applications

90° Male & Female Plug /  
2-4 Pole



90° Male & Female Plug /  
5 Pole



## PLUGS AND CABLE ASSEMBLIES WITH PUR CABLE

POLES	FACE VIEW MALE	WIRING CODE	CABLE LENGTH ft/m	STRAIGHT		90°		MALE WITH EXTERNAL THREADS	MALE/FEMALE CABLE ASSEMBLIES
				MALE	FEMALE	MALE	FEMALE		
2		1-BROWN 2-BLUE	6 ft/1.83m	702002B01F060	702000B01F060	702003B01F060	702001B01F060	702006B01F060	772030B01F060
			12 ft/3.66m	702002B01F120	702000B01F120	702003B01F120	702001B01F120	702006B01F120	772030B01F120
			20 ft/6.10m	702002B01F200	702000B01F200	702003B01F200	702001B01F200	702006B01F200	772030B01F200
3		1-GREEN 2-RED/BLACK 3-RED/WHITE	6 ft/1.83m	703002B01F060	703000B01F060	703003B01F060	703001B01F060	703006B01F060	773030B01F060
			12 ft/3.66m	703002B01F120	703000B01F120	703003B01F120	703001B01F120	703006B01F120	773030B01F120
			20 ft/6.10m	703002B01F200	703000B01F200	703003B01F200	703001B01F200	703006B01F200	773030B01F200
4		1-RED/BLACK 2-RED/WHITE 3-RED 4-GREEN	6 ft/1.83m	704002B01F060	704000B01F060	704003B01F060	704001B01F060	704006B01F060	774030B01F060
			12 ft/3.66m	704002B01F120	704000B01F120	704003B01F120	704001B01F120	704006B01F120	774030B01F120
			20 ft/6.10m	704002B01F200	704000B01F200	704003B01F200	704001B01F200	704006B01F200	774030B01F200
5		1-RED/WHITE 2-RED 3-GREEN 4-RED/YELLOW 5-RED/BLACK	6 ft/1.83m	705002B01F060	705000B01F060	705003B01F060	705001B01F060	705006B01F060	775030B01F060
			12 ft/3.66m	705002B01F120	705000B01F120	705003B01F120	705001B01F120	705006B01F120	775030B01F120
			20 ft/6.10m	705002B01F200	705000B01F200	705003B01F200	705001B01F200	705006B01F200	775030B01F200