

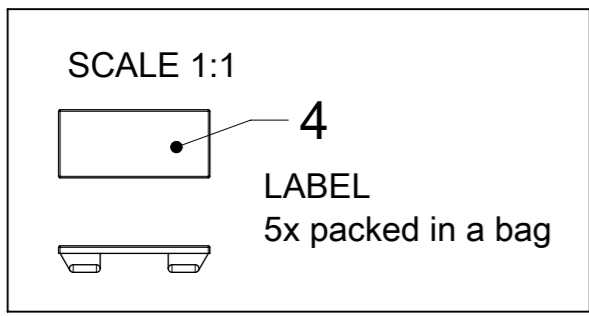
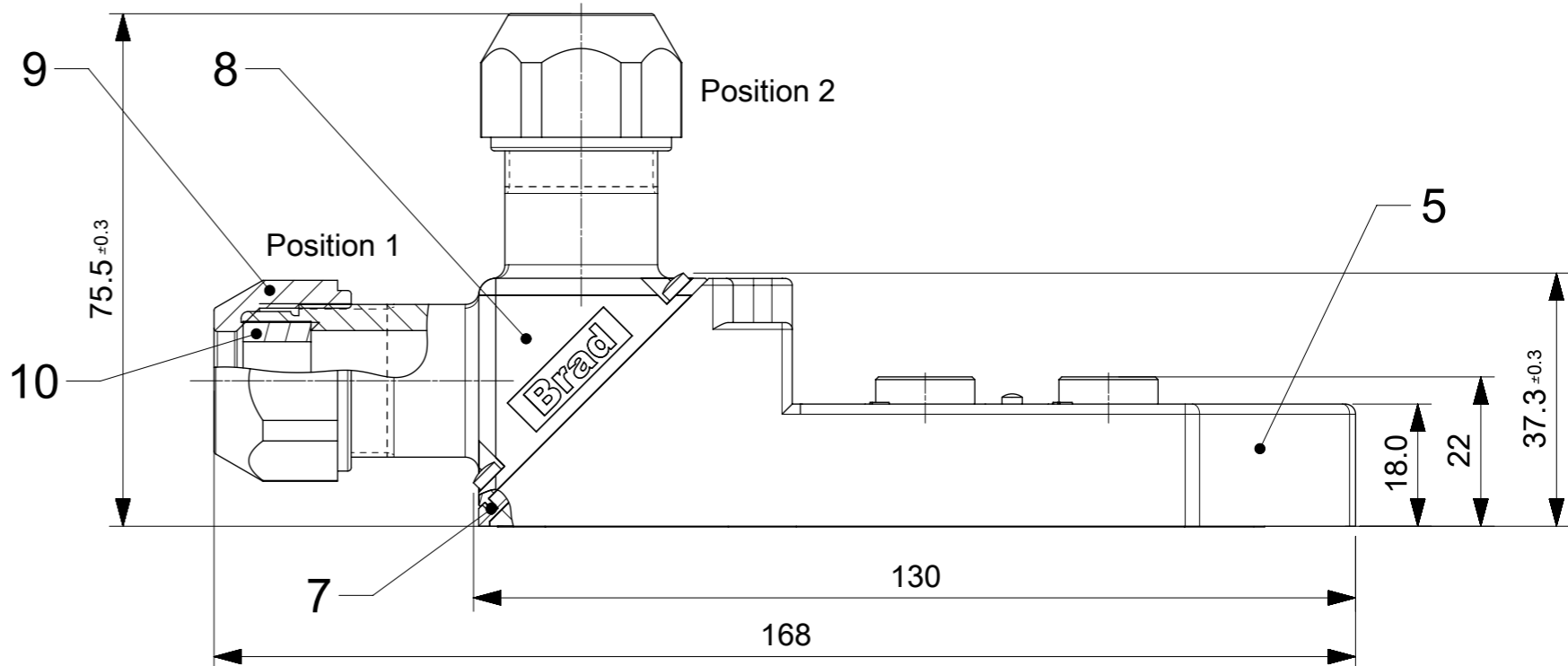
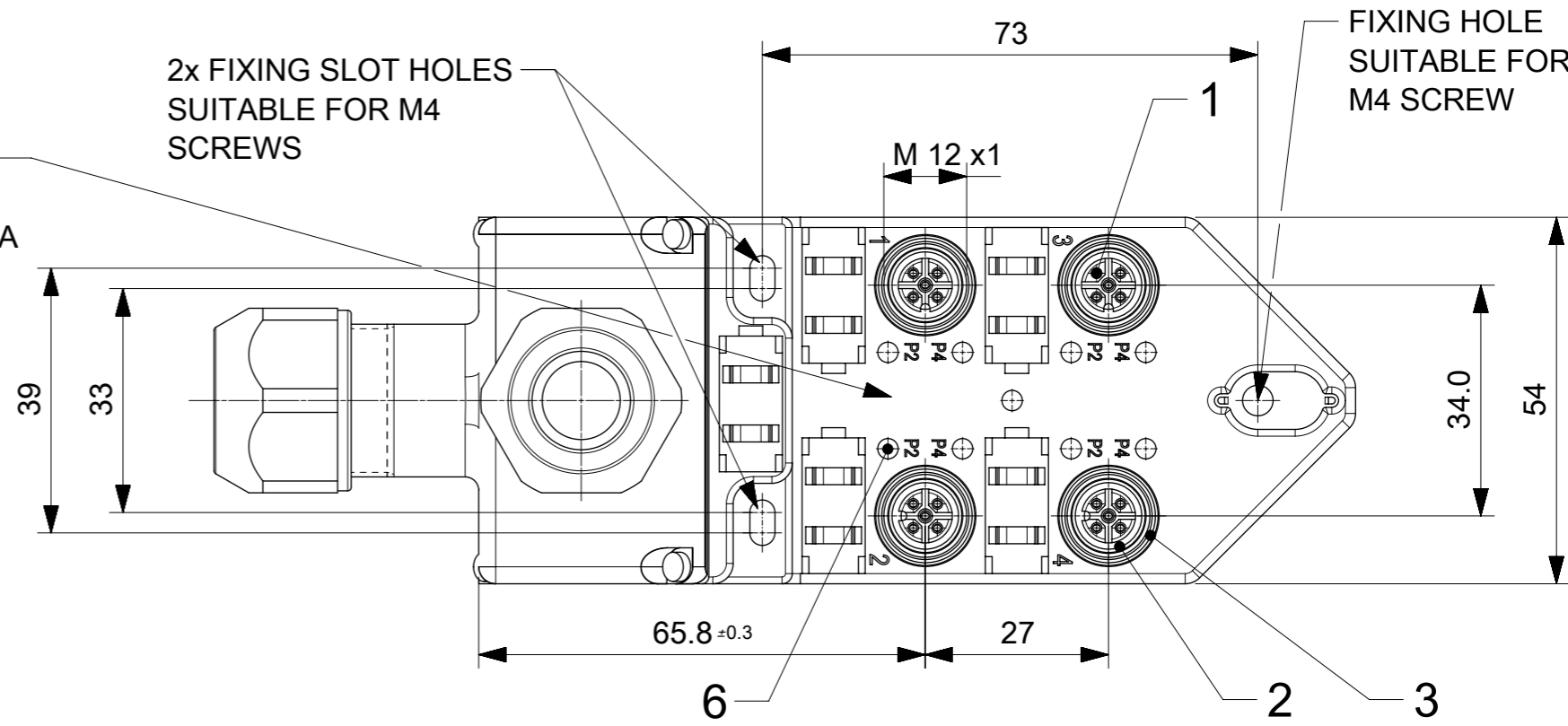
TABLE 1

MOLEX P/N	ENG. NO.	LED
1202480085	BTB403P-FBA	YES

TABLE 2 BILL OF MATERIAL

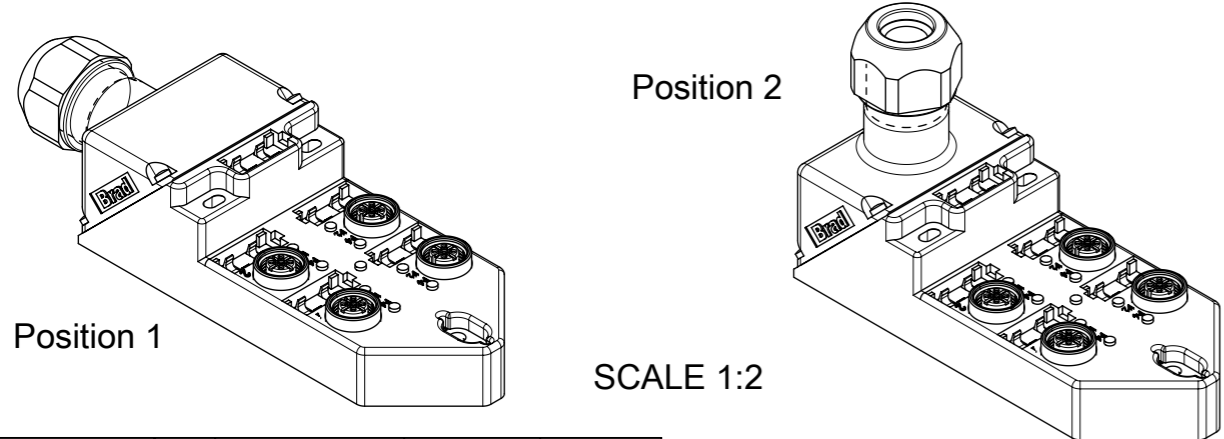
ITEM	DESCRIPTION	MATERIAL	FINISH
1	CONTACT	BRONZE	GOLD OVER NICKEL
2	O-RING	FPM	RED
3	SHELL	BRASS	NICKEL PLATED
4	LABEL	ABS	WHITE
5	HOUSING	PBT	BLACK
6	LED	PA	TRANSPARENT
7	O-RING	NBR	BLACK
8	CLAMPBOX	PBT	BLACK
9	NUT	PA	BLACK
10	GASKET	NBR	BLACK

LASER PRINTING:
 PN: 120248XXXX
 ENG.: BTB403X-FBA
 PO: XXXXXXXXXX



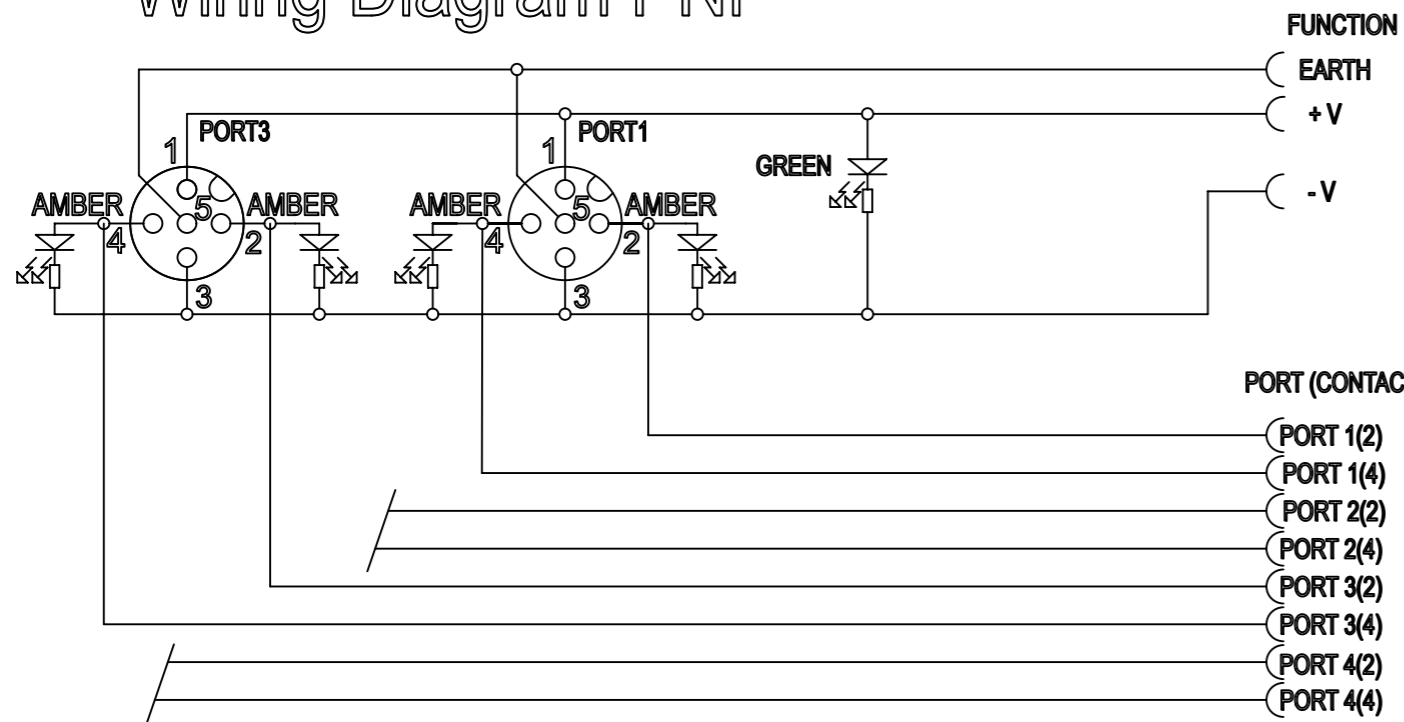
GENERAL CHARACTERISTICS:

NOMINAL VOLTAGE: 10-30 V DC
 AMPERE RATING: 4 A PER PORT / 12 A MAX
 IP DEGREE OF PROTECTION: IP 67
 TEMPERATURE RANGE: -25°C to + 90°C

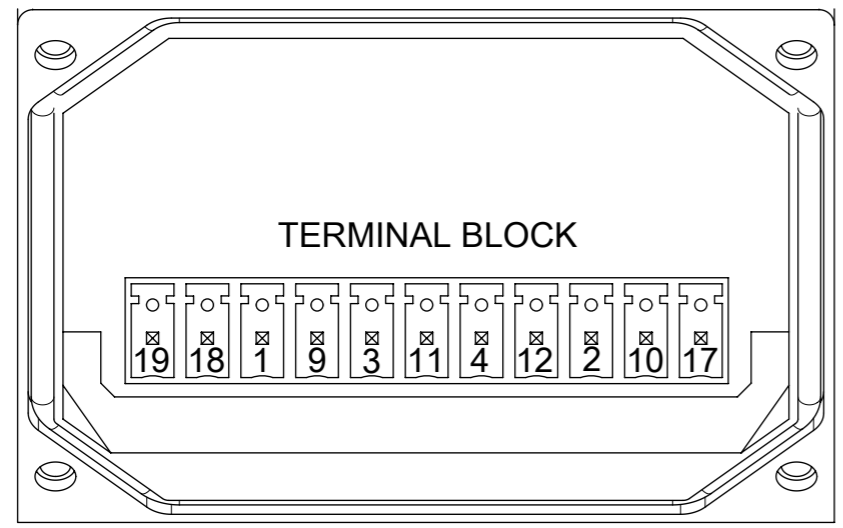
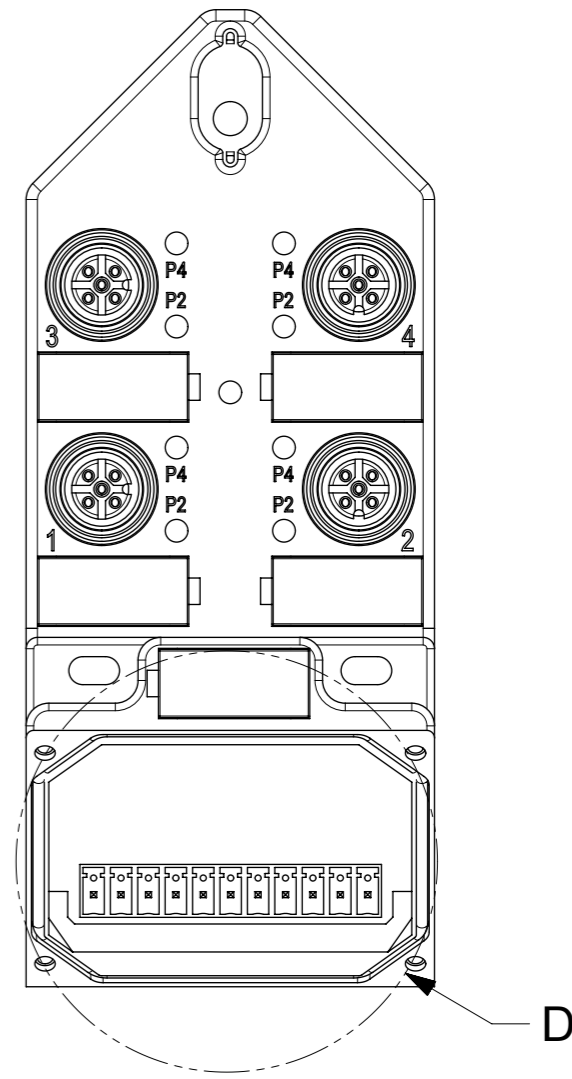


SYMBOLS	THIS DRAWING CONTAINS INFORMATION THAT IS PROPRIETARY TO MOLEX ELECTRONIC TECHNOLOGIES, LLC AND SHOULD NOT BE USED WITHOUT WRITTEN PERMISSION	CURRENT REV DESC: LASER PRINTING ADDED		molex	
	DIMENSION UNITS	SCALE			
▽ = 0	mm			PRODUCT CUSTOMER DRAWING	
▽ = 0	GENERAL TOLERANCES (UNLESS SPECIFIED)		EC NO: 172073	DOCUMENT NUMBER	DOC TYPE
▽ = 0	ANGULAR TOL ± °		DRWN: BBRAUCH 2018/01/31	1202480085	PSD
▽ = 0	4 PLACES ±		CHK'D: ULETTENMEIER 2018/02/08	000	A4
▽ = 0	3 PLACES ±		APPR: RSILLER 2018/02/09	SEE TABLE 1	GENERAL MARKET
▽ = 0	2 PLACES ±		INITIAL REVISION:	000	A4
▽ = 0	1 PLACE ± 0.2		DRWN: AAHLERS 2015/04/07	1 OF 2	
▽ = 0	0 PLACES ± 0.3		APPR: JALEXANDER 2015/05/28		
■ = 0	DRAFT WHERE APPLICABLE MUST REMAIN WITHIN DIMENSIONS		THIRD ANGLE PROJECTION		
▽ = 0			DRAWING	SERIES	MATERIAL NUMBER
			A3-SIZE	120248	SEE TABLE 1

Wiring Diagram PNP



- | | |
|-----------------------|------------------------------|
| FUNCTION | TERMINAL BLOCK NUMBER |
| EARTH | PIN 19 |
| + V | PIN 17 |
| - V | PIN 18 |
| PORT (CONTACT) | TERMINAL BLOCK NUMBER |
| PORT 1(2) | PIN 9 |
| PORT 1(4) | PIN 1 |
| PORT 2(2) | PIN 10 |
| PORT 2(4) | PIN 2 |
| PORT 3(2) | PIN 11 |
| PORT 3(4) | PIN 3 |
| PORT 4(2) | PIN 12 |
| PORT 4(4) | PIN 4 |



DETAIL D
SCALE 2:1

SYMBOLS DIMENSION UNITS: mm SCALE: A3-SIZE GENERAL TOLERANCES (UNLESS SPECIFIED): ANGULAR TOL: ± ° 4 PLACES: ± 3 PLACES: ± 2 PLACES: ± 1 PLACE: ± 0.2 0 PLACES: ± 0.3 DRAFT WHERE APPLICABLE MUST REMAIN WITHIN DIMENSIONS THIRD ANGLE PROJECTION	THIS DRAWING CONTAINS INFORMATION THAT IS PROPRIETARY TO MOLEX ELECTRONIC TECHNOLOGIES, LLC AND SHOULD NOT BE USED WITHOUT WRITTEN PERMISSION CURRENT REV DESC: LASER PRINTING ADDED EC NO: 172073 DRWN: BBRAUCH 2018/01/31 CHK'D: ULETTENMEIER 2018/02/08 APPR: RSILLER 2018/02/09 INITIAL REVISION: DRWN: AAHLERS 2015/04/07 APPR: JALEXANDER 2015/05/28	 MPIS M12 FA PNP 5P 4PT AC FE PRODUCT CUSTOMER DRAWING		
	DOCUMENT NUMBER: 1202480085 DOC TYPE: PSD DOC PART: 000 REVISION: A4 MATERIAL NUMBER: SEE TABLE 1 CUSTOMER: GENERAL MARKET SHEET NUMBER: 2 OF 2			

DOCUMENT STATUS	P1	RELEASE DATE	2018/02/09	15:18:57
-----------------	----	--------------	------------	----------