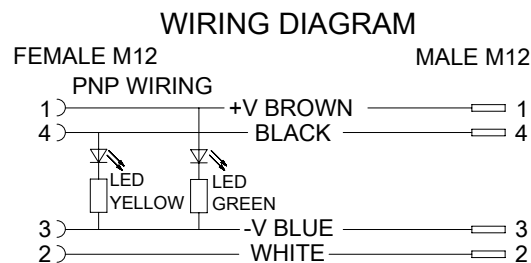
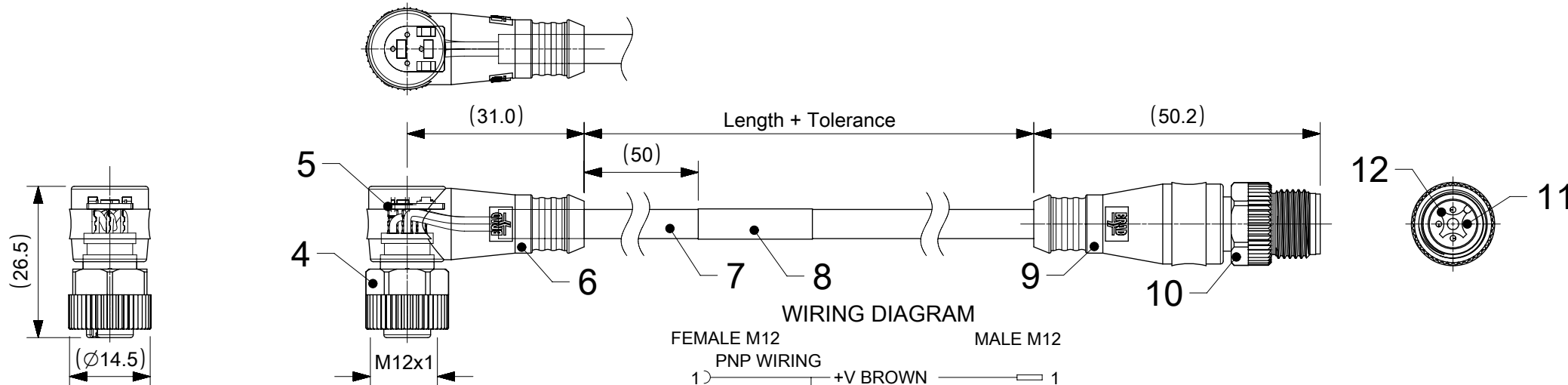
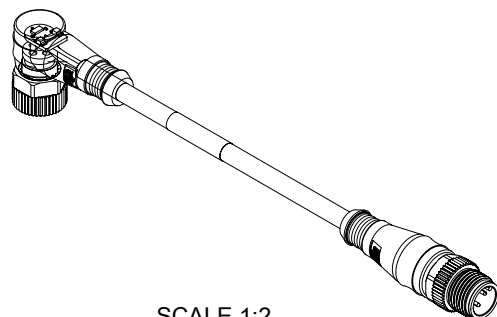
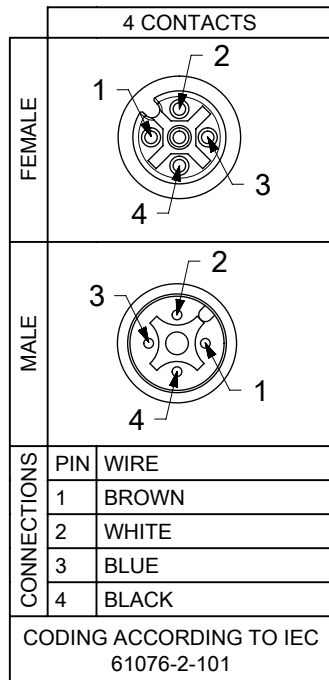


FEMALE PNP PLUG M12 90° ANGLED TO MALE PLUG M12 STRAIGHT



CONTACTS POSITION FRONT VIEW:



SCALE 1:2

NOTES:
 CURRENT RATING: 4A
 VOLTAGE RATING: 10 - 30 VDC
 PROTECTION CLASS: IP 67
 TEMPERATURE: -25°C / +85°C

FOR OPTIONS SEE - NUMERICAL CODE - ON SHEET 2

ITEM	QTY.	DESCRIPTION	MATERIAL	FINISH
12	1	INSERT 4P MALE BLACK	TPU	---
11	4	CONTACT M12 MALE	BRASS	SELECTIVE GOLD OVER NICKEL
10	1	COUPLING NUT MALE SW13	BRASS	NICKEL
9	-	OVERMOULDING BLACK	TPU	---
8	1	LABEL YELLOW	VINYL	---
7	-	CABLE	SEE SHEET 2	---
6	-	OVERMOULDING TRANSPARENT	TPU	---
5	1	PCB PNP	---	---
4	1	COUPLING NUT FEMALE SW13	BRASS	NICKEL
3	1	ORING RED	FPM	---
2	1	INSERT 4P FEMALE BLACK	PUR	---
1	4	CONTACT M12 FEMALE	BRASS	SELECTIVE GOLD OVER NICKEL
		ITEM QTY. DESCRIPTION	MATERIAL	FINISH

QUALITY SYMBOLS ▽ = 0 ▽ = 0 ▽ = 0 ▽ = 0 ▽ = 0 ▽ = 0 ▽ = 0 ▽ = 0 ▽ = 0	THIS DRAWING CONTAINS INFORMATION THAT IS PROPRIETARY TO MOLEX ELECTRONIC TECHNOLOGIES, LLC AND SHOULD NOT BE USED WITHOUT WRITTEN PERMISSION	EC NO: 119114 DRWN: AKONDRACIUK CHK'D: APPR: MIWASIECZKO	2017/07/07 2017/07/17	GENERAL TOLERANCES (UNLESS SPECIFIED) ANGULAR TOL ± 1.0 ° 4 PLACES ± 3 PLACES ± 2 PLACES ± 0.05 1 PLACE ± 0.3 0 PLACES ± 0.5 DRAFT WHERE APPLICABLE MUST REMAIN WITHIN DIMENSIONS	DIMENSION UNITS MM	SCALE 1:1			
					DRWN BY JMARSZALEK	DATE 2016/09/15		CHK'D BY RSILLER	DATE 2016/10/04
PRODUCT CUSTOMER DRAWING							SERIES 120067	MATERIAL NUMBER SEE SHEET 2	CUSTOMER GENERAL MARKET
DOCUMENT NUMBER 1200678420							DOC TYPE PSD	DOC PART 000	SHEET NUMBER 1 OF 2

ENGINEERING NO. - NUMERICAL CODE (Available parts see PART LIST table. Other parts available upon request).

OPTIONS

8 8 4 0 P 7 B X X M X X X X

88=M12x1
Double ended
Micro-Change

Contacts:
4=4 Contacts

Heads style:
0P7=Plug Female PNP 90°
to Plug Male Straight

Cable type: See Table

Units:
M=Meter

Length
Examples:
005=0.5 units
010=1 units
100=10 units

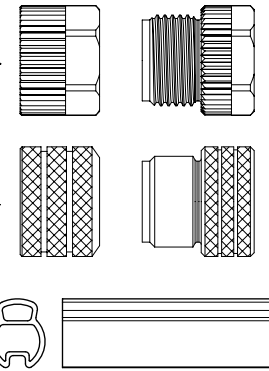
Overmold color:
Blank (Standard)=Black
Y=Yellow

Coupling Nut:
Blank (Standard)=Knurled/Hex Brass, Ni Plated
7=Knurled Brass Ni Plated, Teflon Coated

H= 2 pcs. of I/D Carrier PVC Transparent
(Cables B36 always with 2 pcs. I/D Carrier)

COUPLING NUTS

FEMALE MALE



CABLE INFORMATION (for more information see Cable Data Sheet).

CABLE TYPE	NO. OF WIRES	CROSS SECTION	CABLE JACKET	UL	CSA	STATIC: TEMP. / BENDING RADIUS	DYNAMIC: TEMP. / BENDING RADIUS	DRAG CHAIN: TEMP. / BENDING RADIUS	DRAG CHAIN	CABLE PRODUCT SPECIFICATION	CABLE SPEC. DRAWING	OTHER INFORMATION
B30	4	0.34mm ²	TPU Based, Black	UL 21215/758	C22.2 I/II A/B 80°/600V	-40°C to +90°C >5xO.D.	-25°C to +80°C >7.5xO.D.	-5°C to +60°C >7.5xO.D.	up to 5 000 000 cycles at temp 20°C	1552200001	SD-120209-001	WSOR
B36	4	0.34mm ²	TPU Based, Orange									

PART LIST

CABLE LENGTH TOLERANCES

No.	Molex P/N	Engineering no.	Cable Length
1	1200678420	8840P7B30M010	1m
2	1200678421	8840P7B30M020	2m
3	1200678422	8840P7B30M050	5m
4	1200678427	8840P7B30M100	10m
5	1200678477	8840P7B30M030	3m
6	1200678479	8840P7B36M0207Y	2m
7	1200678487	8840P7B30M0067	0.6m
8	1200678488	8840P7B30M0207	2m
9	1200678496	8840P7B36M0107Y	1m
10	1200678497	8840P7B36M0307Y	3m
11	1200678498	8840P7B36M0507Y	5m
12	1200678499	8840P7B36M1007Y	10m
13	1200678500	8840P7B36M1507Y	15m
14	1200678501	8840P7B36M2007Y	20m
15	1200678511	8840P7B30M006	0.6m
16	1200678512	8840P7B30M015	1.5m
17			
18			
19			
20			

LENGTH	TOLERANCE	
shorter than 1m	+40 mm	0 mm
1m-5m	+60 mm	0 mm
5m-10m	+80 mm	0 mm
10m-20m	+140 mm	0 mm
20m-30m	+160 mm	0 mm
longer than 30m	+1% length	0 mm

THIS DRAWING CONTAINS INFORMATION THAT IS PROPRIETARY TO MOLEX ELECTRONIC TECHNOLOGIES, LLC AND SHOULD NOT BE USED WITHOUT WRITTEN PERMISSION

QUALITY SYMBOLS	2017/07/07	2017/07/17	GENERAL TOLERANCES (UNLESS SPECIFIED)		DIMENSION UNITS	SCALE			
			MM	1:1					
▽ = 0	2017/07/07	2017/07/17	ANGULAR TOL ± 1.0 °		DRWN BY	DATE		CSE M12 PNP 4P AC FE RA WSOR MA STR XM	
▽ = 0			4 PLACES ±	JMARSZALEK	2016/09/15				
▽ = 0			3 PLACES ±	CHK'D BY	DATE				
▽ = 0			2 PLACES ± 0.05	APPR BY	DATE				
▽ = 0	1 PLACE ± 0.3	RSILLER	2016/10/04	PRODUCT CUSTOMER DRAWING					
▽ = 0	0 PLACES ± 0.5	DRAFT WHERE APPLICABLE MUST REMAIN WITHIN DIMENSIONS		DRAWING SIZE	THIRD ANGLE PROJECTION	SERIES	MATERIAL NUMBER	CUSTOMER	
▽ = 0	A1	REV	APPR	MIWASIECZKO	A4	120067	SEE PART LIST	GENERAL MARKET	
						DOCUMENT NUMBER	DOC TYPE	DOC PART	SHEET NUMBER
						1200678420	PSD	000	2 OF 2

RELEASE STATUS P1 RELEASE DATE 17.07.2017 06:35:53